

# RESERVE

by SOUNDSTREAM®

## DEM UPGRADE HEAD UNIT FOR 2014+ HARLEY DAVIDSON® MOTORCYCLES

### INSTALLATION GUIDE



androidauto

Works with  
Apple CarPlay

Bluetooth  
maestro  
COMPATIBLE

SiriusXM  
READY

*To print a complete owners manual, visit us  
online at [motorcycleaudio.com/hdhu-14si](http://motorcycleaudio.com/hdhu-14si)*

- or -

*scan this QR code with your phone's  
camera to download the complete  
owners manual to your phone.*



# REMOVAL OF ORIGINAL HEAD UNIT

## Street Glide

**To prevent accidental vehicle start-up, which could cause death or serious injury, remove main fuse before proceeding.**

1. Remove three outer fairing bolts using a T27 Torx screw driver. The three outer fairing bolts are located below the windshield. Remove the windshield, store it and the screws removed in a safe place for re-installation later.



**TIP:** Reinstalling the center screw after removing the windshield will prevent the outer fairing from falling during the next step. A few turns by hand will be sufficient.

2. Remove four inner fairing bolts using a T27 Torx screw driver. The four inner fairing bolts are located adjacent to each turn indicator mounting bracket and below/adjacent to each speaker. Store these screws in a safe place for re-installation later.



3. While straddling the front wheel fender, grasp the outer fairing, remove the center outer fairing bolt from the previous step, then gently pull the fairing apart from the bike. With the fairing slightly pulled away from the bike, disconnect wire harness for the headlamp and any other accessories. Lay the fairing on a protected flat surface to prevent damage.

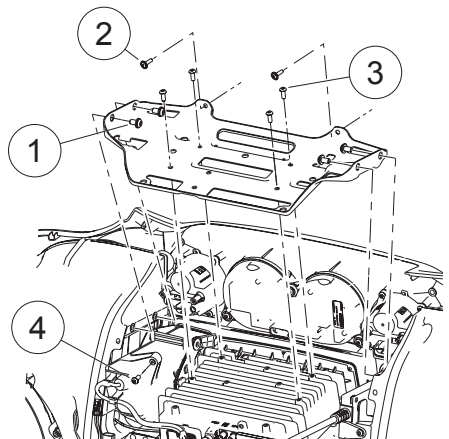
4. Remove upper support bracket. Removal of the upper support bracket requires removing 11 screws:

4.1) remove four 5/32 allen screws attaching the bracket to each speaker enclosure (1)

4.2) remove two T25 screws attaching the bracket to the inner fairing adjacent to the gauge cluster (2)

4.3) remove four T25 screws attaching the bracket to the head unit chassis (3)

4.4) remove one T25 crew attaching the bracket to the media compartment (4)



5. Disconnect electrical connections to the head unit.

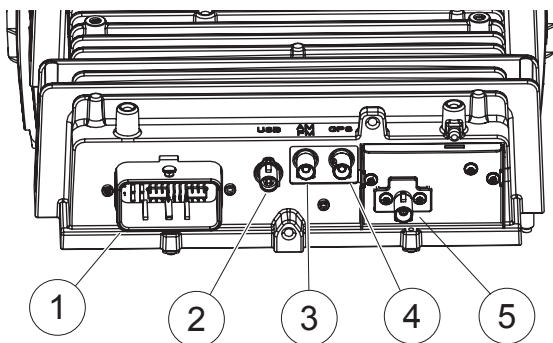
5.1) Remove the main wire harness connector (1). To remove the main wire harness, depress the latch lock with a small flathead screwdriver and swivel the latch aside. Pull the wire harness connector to remove from the socket.

5.2) Remove the USB cable connector (2). To remove the USB cable connector, depress the locking tab with a small flathead screwdriver. While depressing the locking tab, pull the USB cable to release it from the socket.

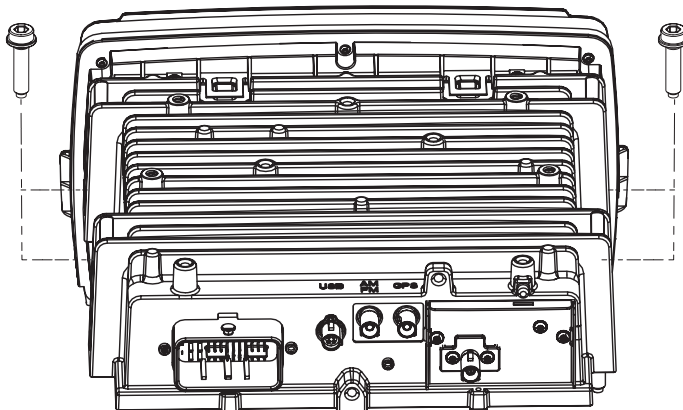
5.3) Remove the radio antenna cable connector (3). To remove the radio antenna cable connector, depress the locking tab with a small flathead screwdriver. While depressing the locking tab, pull the antenna cable to release it from the socket.

5.4) Remove the GPS antenna cable connector (4). To remove the GPS antenna cable connector, depress the locking tab with a small flathead screwdriver. While depressing the locking tab, pull the GPS antenna cable to release it from the socket.

5.5) Remove SiriusXM antenna cable connector, if equipped (5). To remove the Sirius XM antenna cable connector, depress the locking tab with a small flathead screwdriver. While depressing the locking tab, pull the Sirius XM antenna cable to release it from the socket.



6. Remove four head unit mounting screws using a 3/16" hex driver. Two screws are located at each side of the head unit chassis. Store these screws in a safe place for re-installation later. Pull the head unit assembly up and forward to remove.



# REMOVAL OF ORIGINAL HEAD UNIT

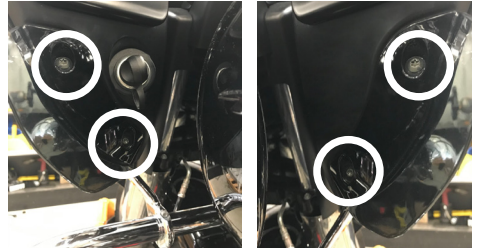
Road Glide

**To prevent accidental vehicle start-up, which could cause death or serious injury, remove main fuse before proceeding.**

1. Detach each turn signal / indicator light by removing the adjacent allen socket screw, using a 3/16" allen head driver. Store these screws in a safe place for re-installation later.



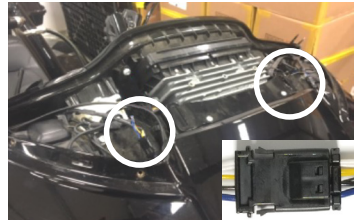
2. Remove four inner fairing bolts using a T25 Torx driver. Two inner fairing bolts are located below each glove box, adjacent to each wind deflector. Store these screws in a safe place for installation later.



3. Remove four windshield bolts using a 1/8" allen driver or Phillips screw driver and remove the windshield. Also remove factory vent by pulling straight up on the vent. The vent comes snapped in place. Store the screws in a safe place for installation later.



4. After removing the vent, locate and unplug the 3-pin wire harness for the left and right side turn signal indicator. These harness' are adjacent to each side of the head unit.

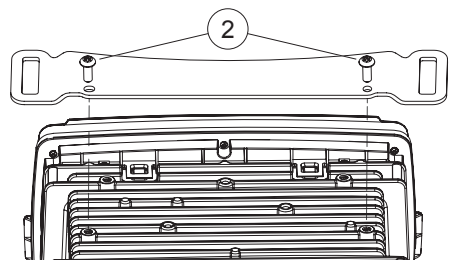


5. Remove an additional inner fairing bolt with a T27 Torx or 5/32" allen driver, one behind each speaker grill. Remove the speaker grill by wedging a plastic/nylon pry tool between the inner fairing and grill edge, popping it outward. Once these bolts are removed, the outer fairing will be detached from the inner fairing. Store these screws in a safe place for installation later.



6. While straddling the front wheel fender, grasp the outer fairing. Gently pull the fairing apart from the bike. With the fairing slightly pulled away from the bike, disconnect wire harness for the headlamp or any other accessories. Lay the fairing on a protected flat surface to prevent damage.

7. Remove two upper support bracket screws using a 3/16" allen driver. Store the bracket and screws in a safe place for re-installation later.



8. Disconnect electrical connections to the head unit.

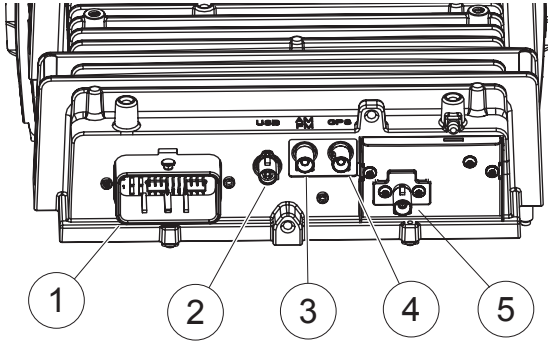
8.1) Remove the main wire harness connector (1). To remove the main wire harness, depress the latch lock with a small flathead screwdriver and swivel the latch aside. Pull the wire harness connector to remove from the socket.

8.2) Remove the USB cable connector (2). To remove the USB cable connector, depress the locking tab with a small flathead screwdriver. While depressing the locking tab, pull the USB cable to release it from the socket.

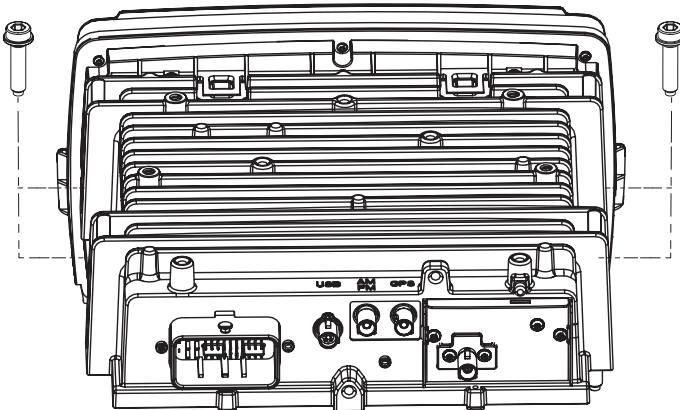
8.3) Remove the radio antenna cable connector (3). To remove the radio antenna cable connector, depress the locking tab with a small flathead screwdriver. While depressing the locking tab, pull the antenna cable to release it from the socket.

8.4) Remove the GPS antenna cable connector (4). To remove the GPS antenna cable connector, depress the locking tab with a small flathead screwdriver. While depressing the locking tab, pull the GPS antenna cable to release it from the socket.

8.5) Remove SiriusXM antenna cable connector, if equipped (5). To remove the Sirius XM antenna cable connector, depress the locking tab with a small flathead screwdriver. While depressing the locking tab, pull the Sirius XM antenna cable to release it from the socket.



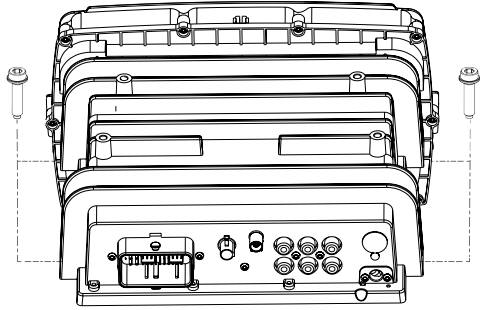
9. Remove four head unit mounting screws using a 3/16" hex driver. Two screws are located at each side of the head unit chassis. Store these screws in a safe place for re-installation later. Pull the head unit assembly up and forward to remove.



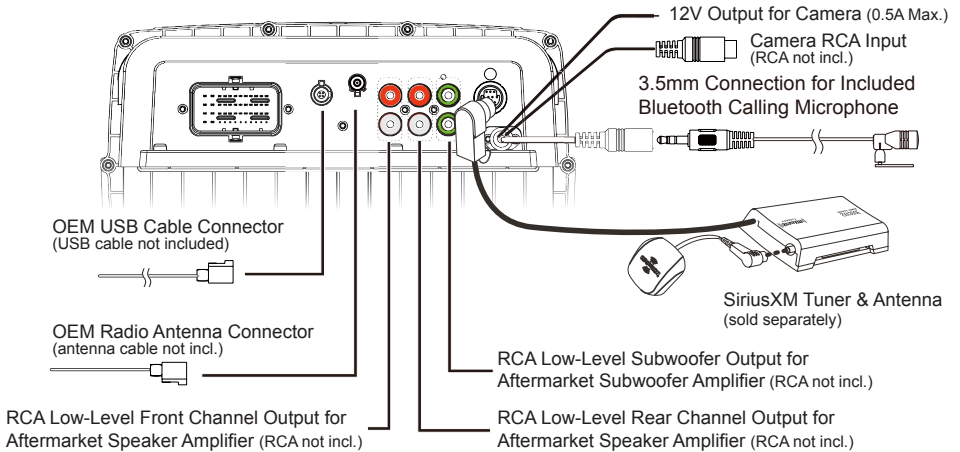
# INSTALLATION OF HDHU.14 HEAD UNIT

To prevent accidental vehicle start-up, which could cause death or serious injury, remove main fuse before proceeding.

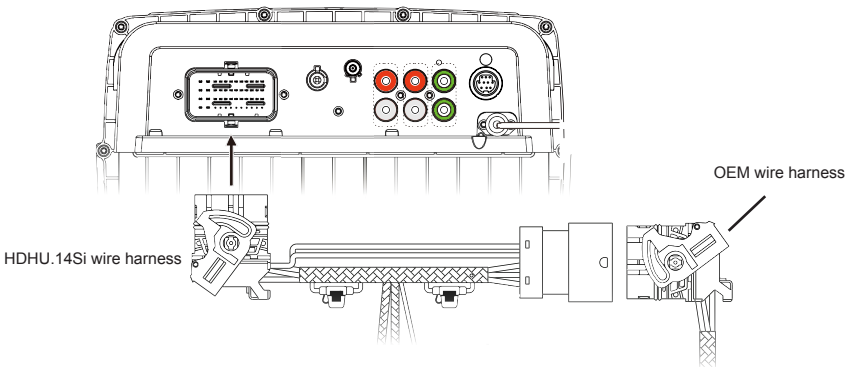
1. Install HDHU.14Si into the location of the OEM head unit. Secure the chassis to the OEM mounting location with the four bolts removed during the last step of REMOVAL OF ORIGINAL HEAD UNIT section using a 3/16" allen driver.



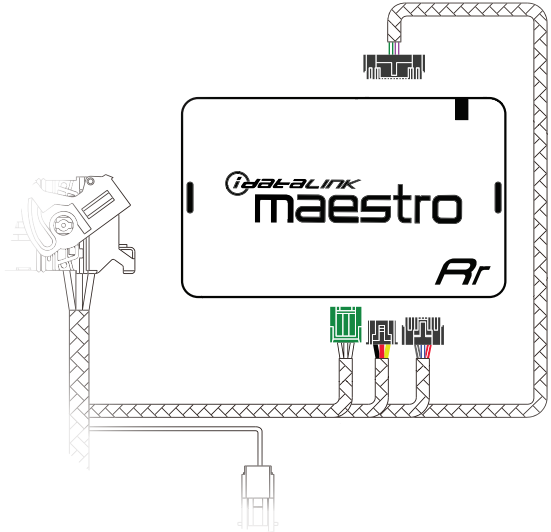
2. Connect the OEM USB and radio antenna cables disconnected during removal of the OEM head unit to the matching sockets on the back of HDHU.14Si. If either are difficult to connect, verify the orientation of the connector(s) is correct. If any aftermarket audio amplifiers will be used in the audio system, take a moment to connect the RCA cables to the corresponding audio outputs. Although not required, if the Bluetooth calling microphone will be used, secure it to the desired installation location, then route its cable to the corresponding input on the back of HDHU.14Si.



3. Insert and lock the male OEM head unit wire harness connector to the female socket of the included wire harness for HDHU.14Si. Then, insert and lock the male connector of the HDHU.14Si wire harness into the corresponding female socket on the back of HDHU.14Si.



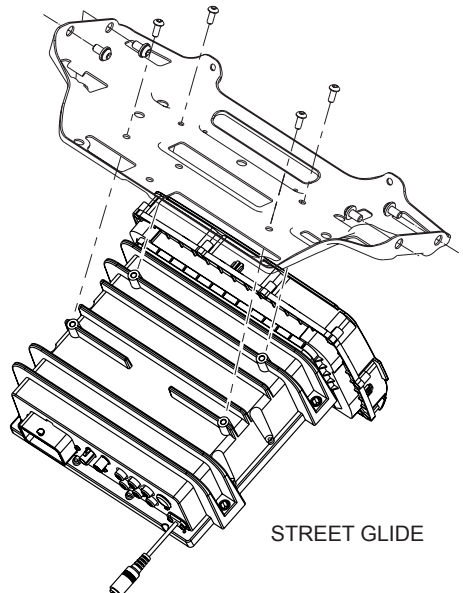
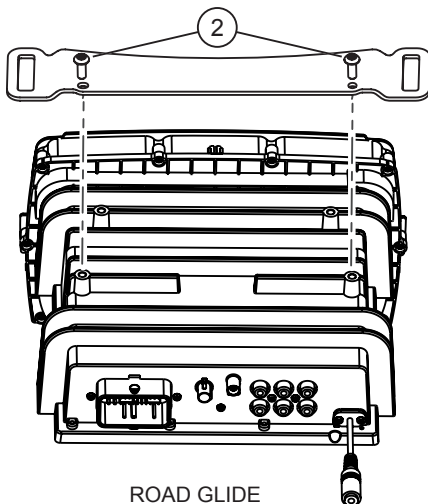
4. Visit [www.idatalinkmaestro.com](http://www.idatalinkmaestro.com) to program your *Rr* before installation. Afterwards, attach the 3 black and 1 green color connector found on the wire harness for HDHU.14Si to the corresponding female socket found on the *Rr* module. Each connector is different size with keyed edges & locks so they will only install in the correct location.



5. If a SiriusXM tuner will also be used, follow it's directions for connection and placement of it's antenna and connection to HDHU.14Si

6. Secure the *Rr* module and SiriusXM tuner (if used) to nearby framework, brackets, etc. in the fairing to prevent them from moving freely. The *Rr* module includes holes at each end to secure with cable/wire ties.

7. Lastly, double check all connections are complete and secure. Reassemble the fairing support bracket using the original screws to the corresponding screw holes on top of HDHU.14Si. Then, reassemble the fairing by reversing the model specific instructions covered in the fairing removal section.



## LIMITED 90-DAY CONSUMER WARRANTY

## LIMITED TWO-YEAR CONSUMER WARRANTY WITH PURCHASE AND INSTALLATION BY A SOUNDSTREAM OR PRECISIONPOWER AUTHORIZED SELLER

Soundstream promises to the original purchaser, to repair or replace this product with a new or refurbished unit (at Soundstream's sole and absolute discretion) should it prove to be defective in workmanship or material under normal use, for a period of \*two-years from the date of purchase from the Soundstream or PrecisionPower authorized seller, PROVIDED the product was purchased and installed by a Soundstream or PrecisionPower authorized seller. During this \*two-year period, there will be no charge for product repair or replacement, PROVIDED the unit is returned to Soundstream, return shipping pre-paid, along with the required proof of installation, the bill of sale or other dated proof of purchase, and the consumer's contact information.

If the unit is installed by anyone other than a Soundstream or PrecisionPower authorized seller, the warranty period will be 90-days from the date of purchase. This warranty is non-transferable and does not apply to any unit that has been modified or used in a manner contrary to its intended purpose, and does not cover damage to the unit caused by installation or removal of the unit. During this 90-day period, there will be no charge for the repair or replacement PROVIDED the unit is returned to Soundstream, return shipping prepaid, along with the bill of sale or other dated proof of purchase and the consumer's contact information.

This warranty is void if the product has been damaged by accident or unreasonable use, neglect, improper service or other causes not arising out of defects in materials or construction. This warranty does not cover the elimination of externally generated static or noise, or the correction of antenna problems or weak reception, damage to speakers, accessories, electrical systems, cosmetic damage or damage due to negligence, misuse, failure to follow operating instructions, accidental spills or customer applied cleaners, damage due to environmental causes such as floods, airborne fallout, chemicals, salt, hail, lightning or extreme temperatures, damage due to accidents, road hazards, fire, theft, loss or vandalism, damage due to improper connection to equipment of another manufacturer, modification of existing equipment, or Product which has been opened or tampered for any reason. Units which are found to be damaged by abuse resulting in thermally damaged voice coils are not covered by this warranty but may be replaced at the absolute and sole discretion of Soundstream. Unit must be returned to Soundstream, postage pre-paid, with bill of sale or other dated proof of purchase bearing the following information: consumer's name, telephone number, and address, authorized dealer's name and address, and product description. Please contact Soundstream warranty office at 800-724-1377 or [repairs@soundstream.com](mailto:repairs@soundstream.com) to obtain a Return Authorization number prior to shipping the product.

Note: This warranty does not cover labor costs for the removal and reinstallation of the unit. IN ORDER FOR THE TWO-YEAR WARRANTY TO BE VALID, YOUR UNIT MUST BE SHIPPED WITH PROOF OF INSTALLATION BY A SOUNDSTREAM OR PRECISIONPOWER AUTHORIZED SELLER. ALL UNITS RECEIVED BY SOUNDSTREAM FOR WARRANTY REPAIR WITHOUT PROOF OF SOUNDSTREAM OR PRECISIONPOWER AUTHORIZED DEALER INSTALLATION AND PURCHASE WILL BE COVERED BY THE LIMITED 90-DAY WARRANTY.

BY PURCHASING THIS PRODUCT, ALL WARRANTIES INCLUDING BUT NOT LIMITED TO EXPRESS WARRANTY, IMPLIED WARRANTY, WARRANTY OF MERCHANTABILITY, FITNESS FOR PARTICULAR PURPOSE, AND WARRANTY OF NON-INFRINGEMENT OF INTELLECTUAL PROPERTY ARE EXPRESSLY EXCLUDED TO THE MAXIMUM EXTENT ALLOWED BY LAW, AND SOUNDSTREAM NEITHER ASSUMES NOR AUTHORIZES ANY PERSON TO ASSUME FOR IT ANY LIABILITY IN CONNECTION WITH THE SALE OF THE PRODUCT. SOUNDSTREAM HAS ABSOLUTELY NO LIABILITY FOR ANY AND ALL ACTS OF THIRD PARTIES INCLUDING ITS AUTHORIZED DEALERS OR INSTALLERS. BY PURCHASING THIS PRODUCT, THE CONSUMER AGREES AND CONSENTS THAT ALL DISPUTES BETWEEN THE CONSUMER AND SOUNDSTREAM SHALL BE RESOLVED IN ACCORDANCE WITH CALIFORNIA LAWS IN LOS ANGELES COUNTY, CALIFORNIA. Some states do not allow limitation on how long an implied warranty lasts. In such states, the limitation or exclusions of this Limited Warranty may not apply. Some states do not allow the exclusion or limitation of incidental or consequential damages. In such states, the exclusion or limitation of this Limited Warranty may not apply to you. This Limited Warranty gives you specific legal rights, and you may have other rights which vary from state to state.